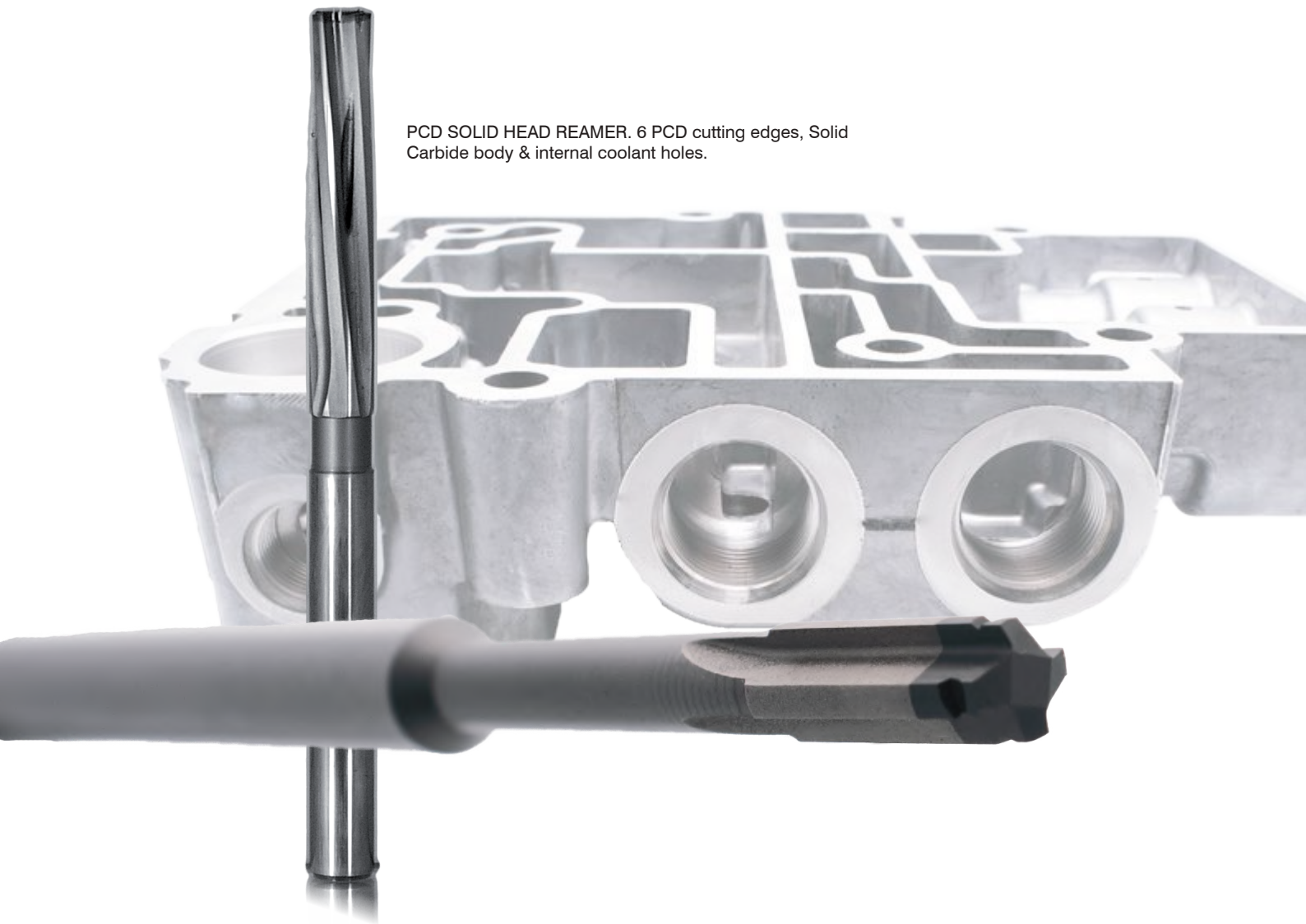




# Micro-reamer: PCD solid head reamer

PCD SOLID HEAD REAMER. 6 PCD cutting edges, Solid Carbide body & internal coolant holes.



Smart tooling

Better payback  
from benchmark  
technology.



PCD precision fine  
Micro-Reamers for the  
efficient machining  
process of small hole  
diameters.

PCD Micro-Reamer  $\varnothing 4$ , Z=4  
designed with double entry  
for roughing and finishing  
operations in one pass only.

# Micro\_reamer.

Smart tooling

## Small $\varnothing$ PCD reamers.

Small diameter PCD reamers, from  
 $\varnothing 3$  up to  $\varnothing 10$ mm diameter range,  
available from 4 to 10 flutes. The  
final solution with maximum  
performance and accuracy now  
available for small hole diameters!!

$\varnothing 3$ mm a  $\varnothing 10$ mm  
Z=4 a Z=10

New technologies deliver enhanced  
performance, improved efficiency and  
higher productivity.



# Precision fine boring tools

Smart tooling



herramientas Preziss S.L.  
**PREZISS DIAMANT**



polígono industrial "Les Pedreres" nave A-1, riera de Sant Jordi  
08390 Montgat - Barcelona (Spain)  
tel.: 34 93 469 03 51 fax: 34 93 320 39 03 e-mail: [preziss@preziss.com](mailto:preziss@preziss.com)  
[www.prezisstools.com](http://www.prezisstools.com)  
[www.preziss.com](http://www.preziss.com)