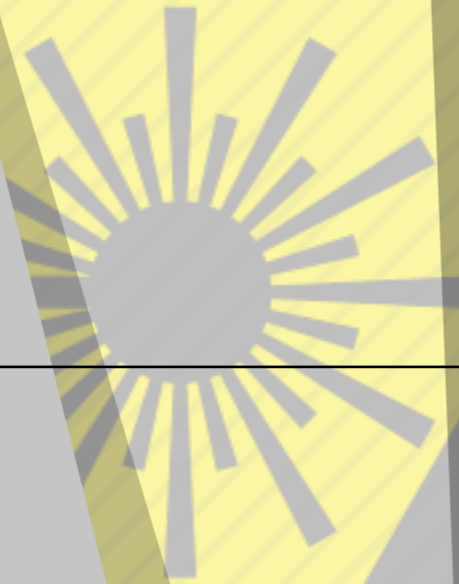


CHIPBREAKER TECHNOLOGY FOR CUTTING TOOLS



CHIPBREAKER by PREZISS

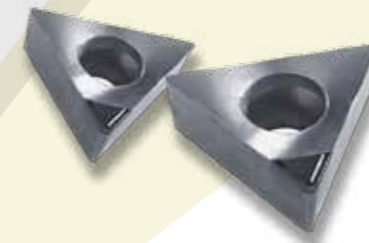
PCD cutting tools, fine boring tools and inserts with the new chipbreaker technology, extremely productive and tailored for satisfying your high-volume production need. A chipbreaker design range and the correct PCD grade choice are available to provide the highest tool life and cutting data as well as unmatched surface and diameter tolerance quality. The reaming technology based with adjustable blades enables you to achieve highest accuracy and surface quality and four cutting edges with PCD, CBN, carbide, or cermet. PREZISS system provides you the most stable pocket seat and fail-safe clamping, from smallest to largest diameters. PCD tipped, steel or solid carbide based body adding chipbreaker control, allows you to improve chip evacuation increasing the productivity as well as a higher tool life.



PCD brazed tipped, steel or solid carbide based body adding chipbreaker control, allows you to improve chip evacuation increasing the productivity as well as a higher tool life. Recommended in particular for materials producing long chips, such as aluminium wrought alloys with low Si content.



The reaming technology based with adjustable blades enables you to achieve highest accuracy and surface quality and four cutting edges with PCD, CBN, carbide, or cermet. The blades offer you the possibility to easily self-adjust the diameters required in the workpiece.



Inserts with special chipbreaker designs, specially developed for different cutting tasks, low cutting depths to break chips even at high speeds and greater cutting depths with special design also to control chips.



VALVE SEAT AND GUIDE REAMING TECHNOLOGY

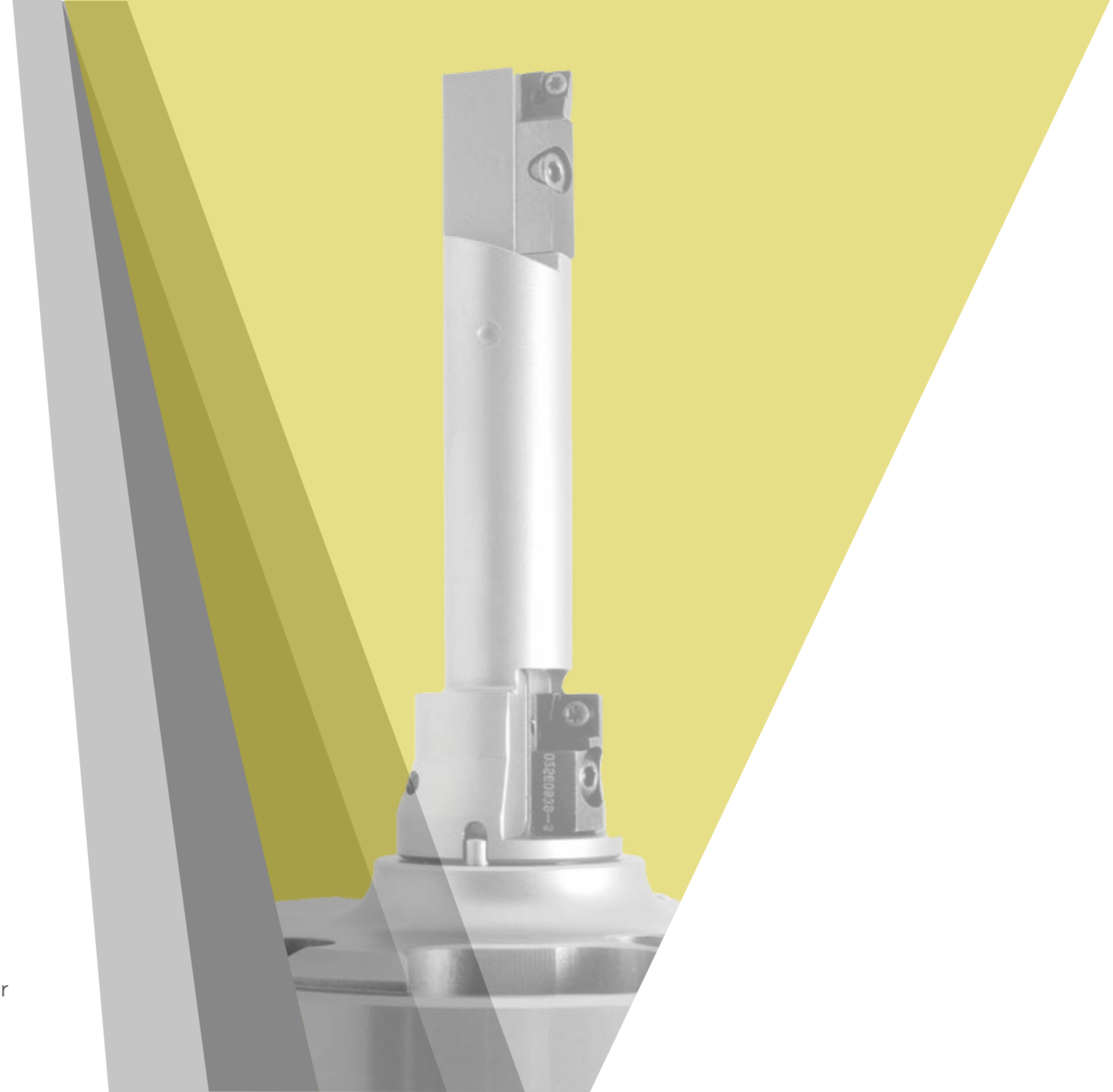
Double step 4 flute solid carbide reamer for roughing and finishing in one shot.

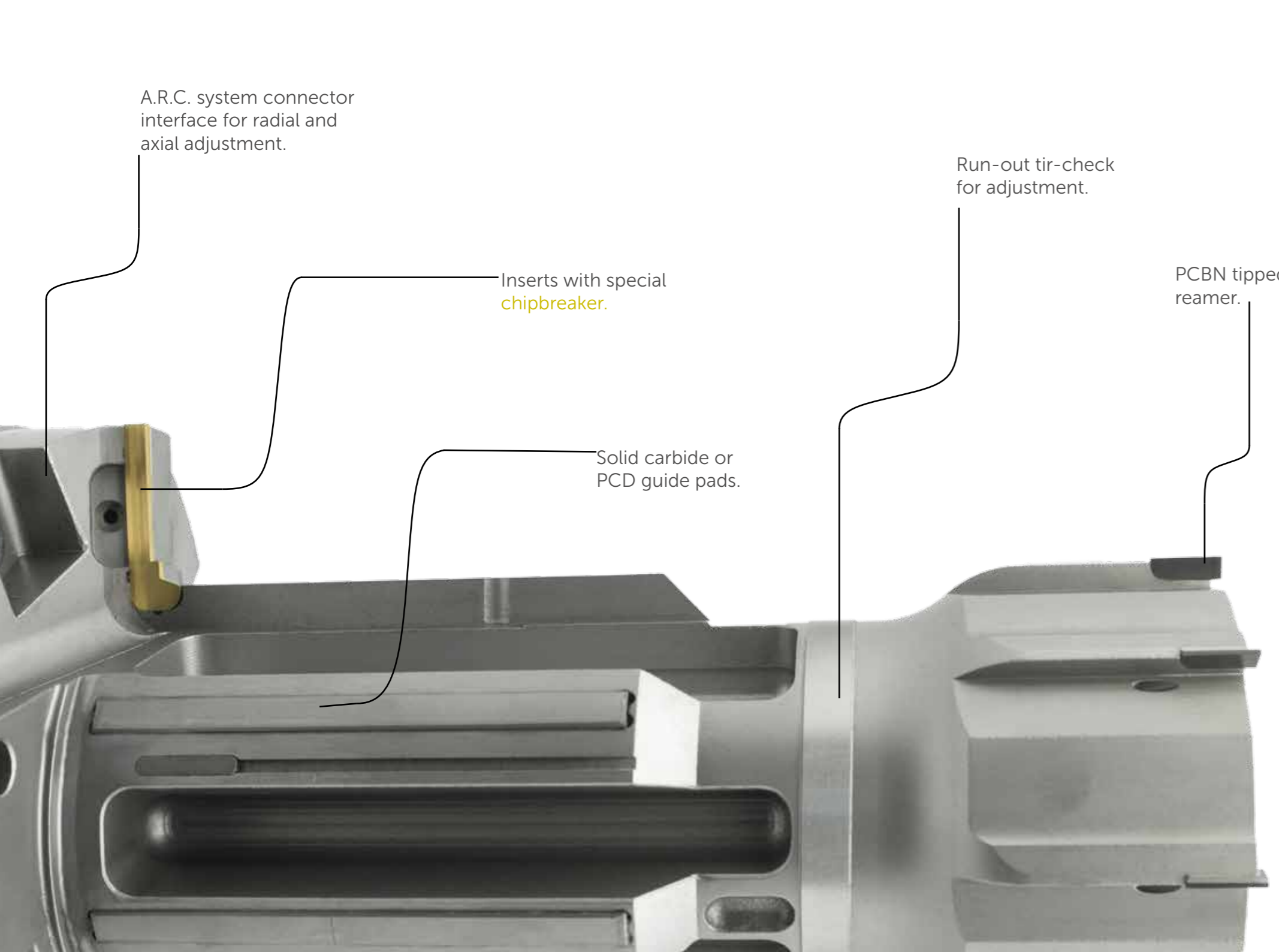
Shrink fit clamping for reamer.

Run-out adjustment for reamer.

Inserts with special chipbreaker.

A.R.C. system connector interface for radial and axial adjustment.





A.R.C. system connector interface for radial and axial adjustment.

Inserts with special chipbreaker.

Solid carbide or PCD guide pads.

Run-out tir-check for adjustment.

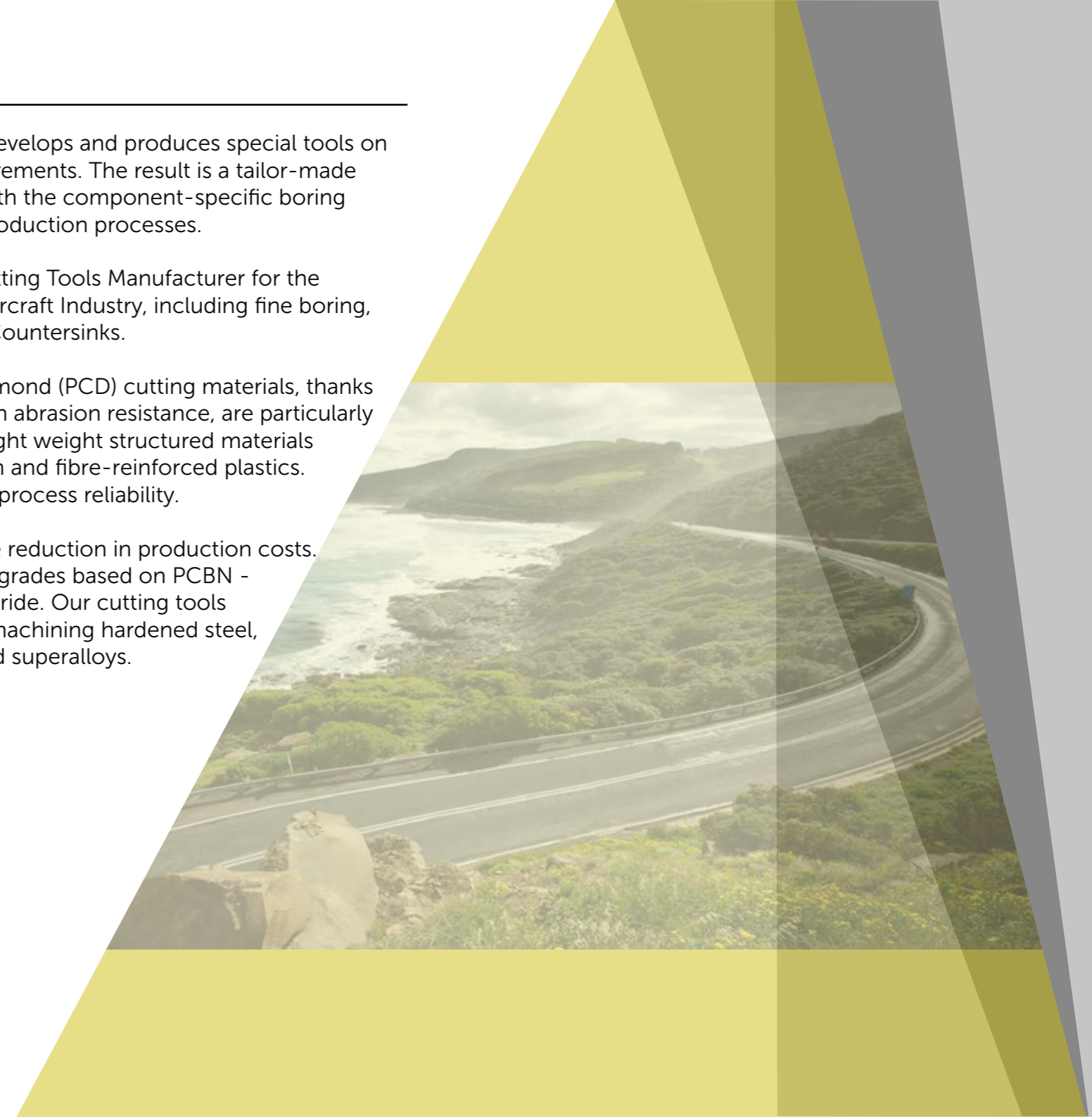
PCBN tipped reamer.

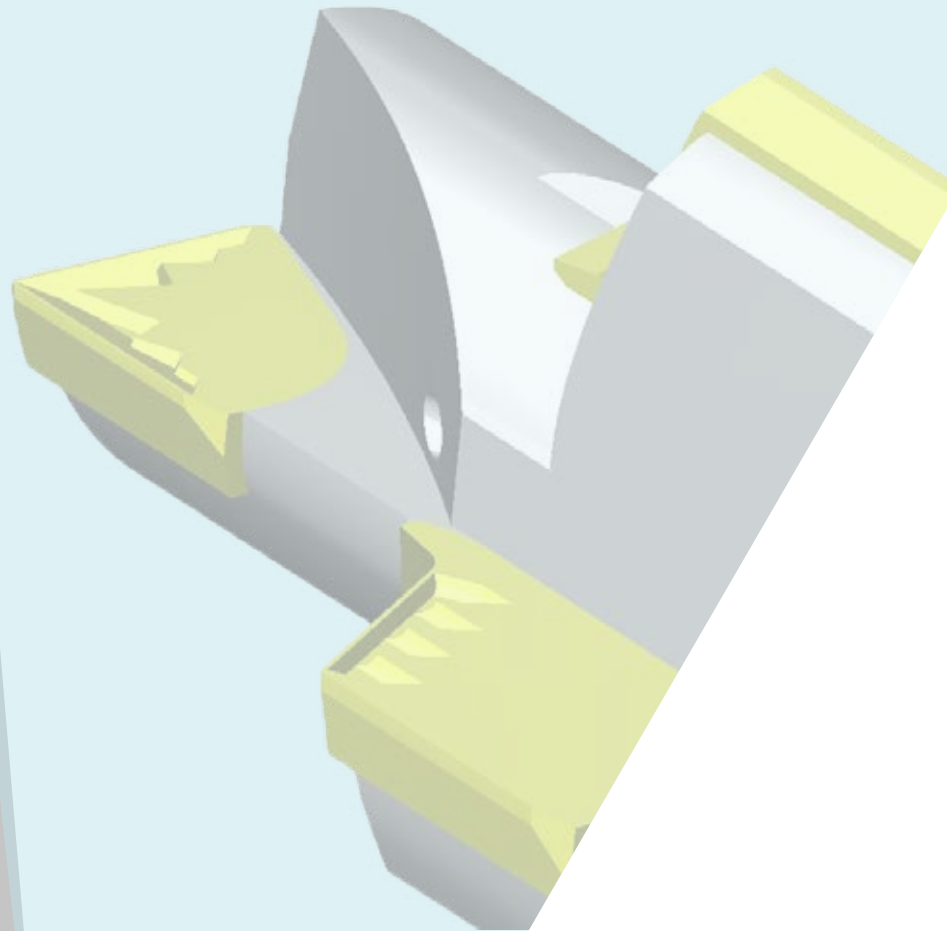
Our engineering department develops and produces special tools on the basis of their specific requirements. The result is a tailor-made special tool which complies with the component-specific boring concept and optimises your production processes.

PREZISS is a PCD Diamond Cutting Tools Manufacturer for the metal-working, Aerospace & Aircraft Industry, including fine boring, reamers, Drills, End Mills, and Countersinks.

tools with Poly-Crystalline Diamond (PCD) cutting materials, thanks to their great hardness and high abrasion resistance, are particularly suitable for the machining of light weight structured materials such as aluminium, magnesium and fibre-reinforced plastics. PCD-tipped tools increase the process reliability.

PREZISS PCBN achieves a large reduction in production costs. high performance cutting tool grades based on PCBN - Polycrystalline Cubic Boron Nitride. Our cutting tools are specifically developed for machining hardened steel, pearlitic cast iron, hard iron and superalloys.





Herramientas Preziss S.L.
Polígono industrial "Les Pedreres"
nave - A1 Riera de Sant Jordi
08390 - Montgat - Barcelona (Spain)
Telefono: (+34) 93 469 03 51
Telefax: (+34) 93 320 39 03
preziss@preziss.com
www.prezisstools.com